

Current Equipment Type



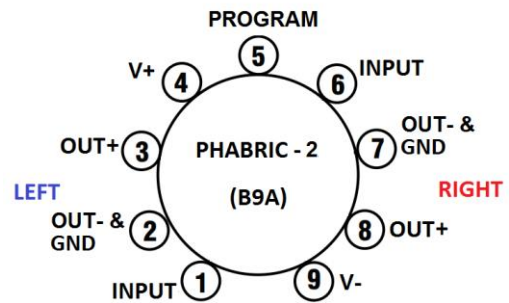
TYPE: PHABRICS B9A AUDIO BUILDING BLOCKS PHABRIC-3 PHONO HEAD AMP

The Phædrus Audio PHABRICS are premium-quality audio building blocks. Housed in a B9A (Noval) tube format, the minimal external circuitry may be wired onto the valve base, thereby eliminating the need for a PCB.

The PHABRIC-3 is a dual phono front-end. Using unique circuitry, the part may be used with moving-magnet (MM) or moving-coil (MC) cartridges whilst still offering the same exceptional noise and headroom specifications. The gain switching required for use with MM or MC cartridges is accomplished by pulling the PROGRAM pin low or leaving it to float. The part requires the bare minimum of external circuitry.

The PHABRIC-3 also supports the PHLUX-II active phono cartridge.

For more information contact: sales@phaedrus-audio.com



PHABRIC-3 (PHONO amplifier) Technical Specifications

Base type: B9A Noval

Input signal level: Nominal 5mV/500 μ V RMS

Gain: +40dB: +62dB

MC EIN (A-weighted, 20kHz): 124nV RMS: -136dBu

MM EIN (A-weighted, 20kHz): 210nV RMS: -131dBu

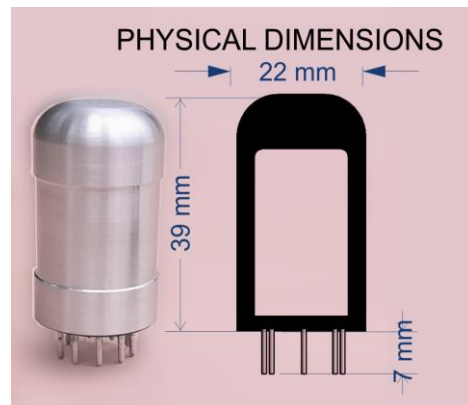
Distortion: 0.001% (1kHz 0.5mV RMS)

Max input level: 6/64mV RMS (MC, MM)

Power Supply: \pm 12V, 20mA quiescent

Notes:

- 1.
- 2.



Version 1.0 - March 2019



Before using a Phaedrus Audio PHABRICS, please read carefully the specifications and applications information in the datasheet. Improper installation or failure to respect parameter limits may cause damage to the component, modify its characteristics and decrease reliability and useful life. Phaedrus Audio's Limited Warranty does not extend to any Phædrus Audio product that has been damaged or rendered defective due to accident, misuse, or abuse. See http://www.phaedrus-audio.com/phaedrus_t&cs.htm for Phædrus Audio's latest Terms and Conditions.



TYPE: PHABRICS

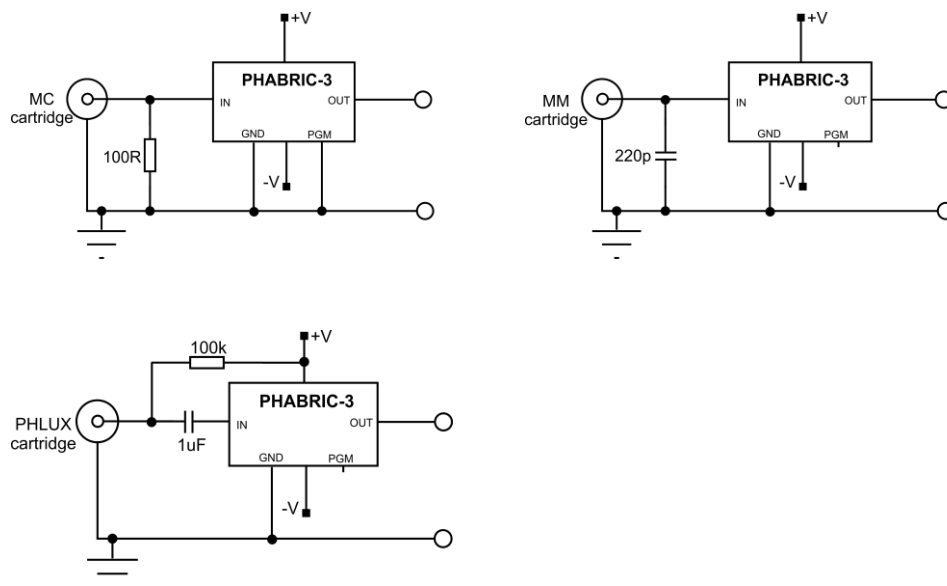
B9A AUDIO BUILDING BLOCK

PHABRIC-3 PHONO HEAD AMP

APPLICATION INFORMATION

The PHABRIC-3 is a universal phono front-end which may be used with moving-magnet (MM) or moving-coil (MC) cartridges (see diagrams below). Gain switching is accomplished by pulling pins 2 & 7 low for MC operation, or leaving them to float for MM. The part has a precisely defined input impedance of $47k\Omega$ in parallel with $<10pF$. The only external components required are those to modify that impedance. Most MM cartridges require a specified capacitive component of this impedance in order to give a correct HF response (usually in the order of 200 – 300pF). The choice of this component is therefore left to the user. For MC operation, most cartridges require a low input resistance so, once again, this is left to the user to implement externally.

With very low bias currents, the PHABRIC-3 does not require an input coupling capacitor with MC or MM cartridges. A non-polar part of $1\mu F$ must be employed with Phædrus Audio PHLUX active cartridge.



EVALUATION BOARD (PHABRIC-1-EVAL)

An evaluation board is available for the PHABRIC series. The board may be externally powered by a bench power-supply or with batteries. A full schematic is given below.

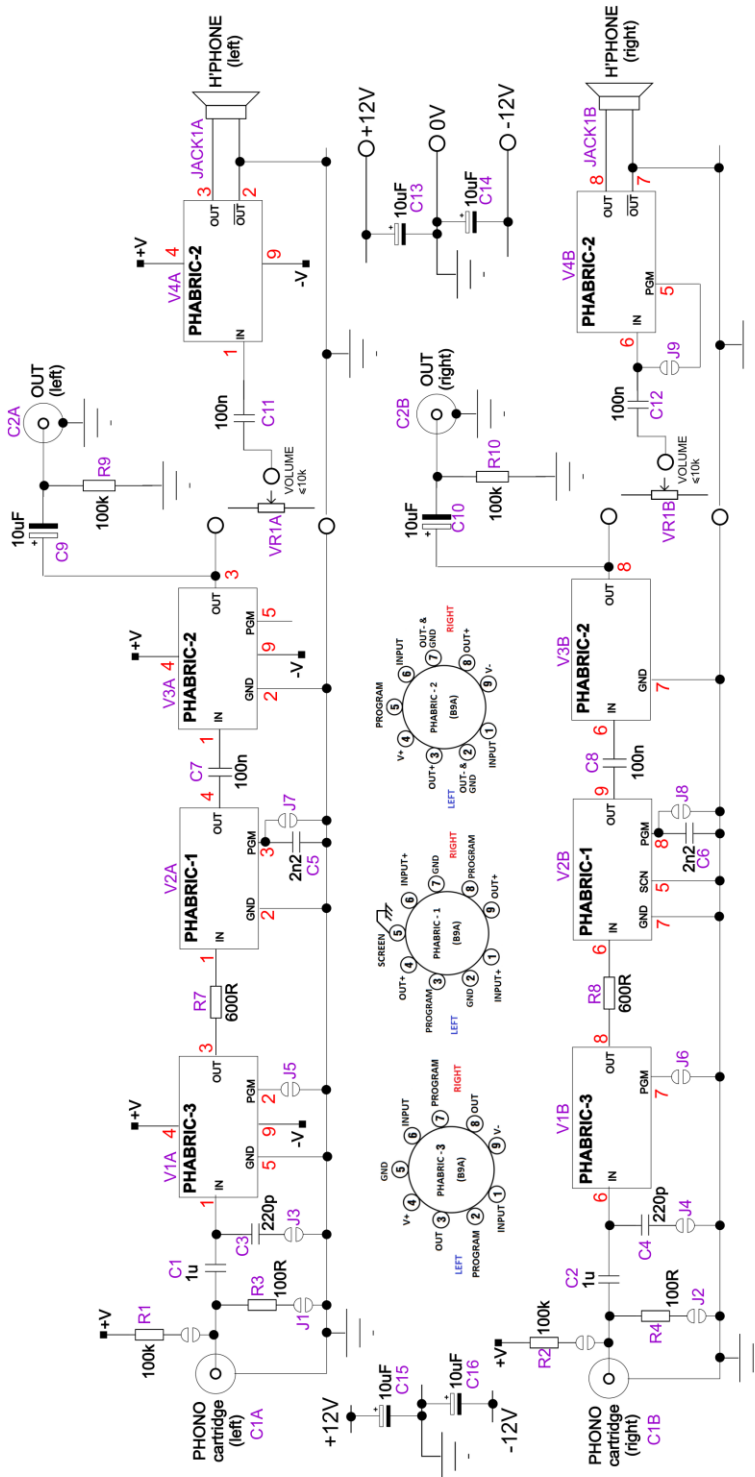


Version 1.0 - March 2019



Before using a Phædrus Audio PHABRICS, please read carefully the specifications and applications information in the datasheet. Improper installation or failure to respect parameter limits may cause damage to the component, modify its characteristics and decrease reliability and useful life. Phædrus Audio's Limited Warranty does not extend to any Phædrus Audio product that has been damaged or rendered defective due to accident, misuse, or abuse. See http://www.phaedrus-audio.com/phaedrus_t&cs.htm for Phædrus Audio's latest Terms and Conditions.

Current Equipment Type



Version 1.0 - March 2019



Before using a Phaedrus Audio PHABRICS, please read carefully the specifications and applications information in the datasheet. Improper installation or failure to respect parameter limits may cause damage to the component, modify its characteristics and decrease reliability and useful life. Phaedrus Audio's Limited Warranty does not extend to any Phaedrus Audio product that has been damaged or rendered defective due to accident, misuse, or abuse. See http://www.phaedrus-audio.com/phaedrus_t&cs.htm for Phaedrus Audio's latest Terms and Conditions.