

Current Equipment Type



TYPE: PHABRICS B9A AUDIO BUILDING BLOCKS PHABRIC-2 HEADPHONE STAGE (including Blumlein Σ stereo shuffler)

The Phædrus Audio PHABRICS are premium-quality audio building blocks. Housed in a B9A (Noval) tube format, the minimal external circuitry may be wired onto the valve base, thereby eliminating the need for a PCB.

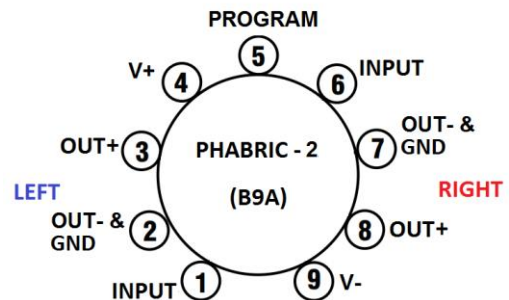
Incorporating a headphone amplifier of unique design, the PHABRIC-2 may be optimised to operate with a very wide range of headphones with impedances from 16Ω to 600Ω .

The PHABRIC-2 incorporates a binaural shuffler.

The inverse of Blumlein's δ shuffler which matrixed spaced omnidirectional microphone signals to signals suitable for loudspeaker stereo¹, the PHABRIC-2 reverses the process resulting in fatigue-free headphone-listening of exceptional realism.

The PHABRIC-2 incorporates 20dB ($\times 10$) of gain, so that a complete, psychoacoustically-optimised, stereo headphone stage may be realised using the minimum of external components.

For more information contact: sales@phaedrus-audio.com



PHABRIC-2 (PHONES) Technical Specifications

Base type: B9A Noval

Input signal level (min): +0dBu into $10k\Omega$ (0.775V RMS or 2.2V pk-pk)

Gain: +20dB

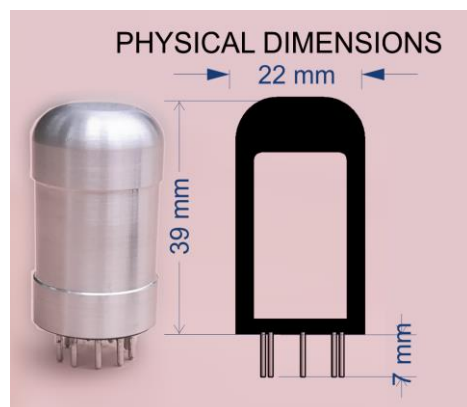
Power output: 65mW into 32Ω , 70mW into $300\Omega^2$

Distortion: 0.004% (65mW into 32Ω)

Power Supply: $\pm 12V$. Do not exceed $\pm 15V$

Notes:

- http://pspatialaudio.com/blumlein_delta.htm
- Exposure to high sound levels can cause hearing damage. Be careful to control headphone levels always.



Version 1.2 - March 2019



Before using a Phædrus Audio PHABRICS, please read carefully the specifications and applications information in the datasheet. Improper installation or failure to respect parameter limits may cause damage to the component, modify its characteristics and decrease reliability and useful life. Phædrus Audio's Limited Warranty does not extend to any Phædrus Audio product that has been damaged or rendered defective due to accident, misuse, or abuse. See http://www.phaedrus-audio.com/phaedrus_t&cs.htm for Phædrus Audio's latest Terms and Conditions.



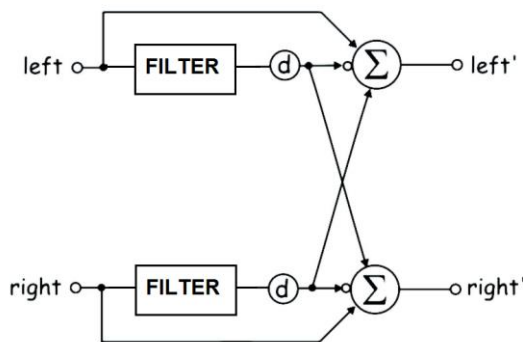
TYPE: PHABRICS
B9A AUDIO BUILDING BLOCK
PHABRIC-2 HEADPHONE DRIVER
(including Blumlein Σ stereo shuffler)

APPLICATION INFORMATION

The DC conditions of the PHABRIC-2 are tightly controlled, so bulky, high value, output coupling capacitors of dubious audio quality are not required. However, AC input coupling is necessary and should be achieved using high-quality 100nF (0.1uF) capacitors. The small value reveals the very high impedance of the PHABRIC-2's FET input stage. Do not be tempted to use capacitors of a higher value because these capacitors form part of the input filter.

The PHABRIC-2 must be fed from an impedance no greater than 3k Ω . The worst-case output impedance of a 10k Ω potentiometer is 2.5k Ω , so this is the highest permissible value of upstream volume control.

The PROGRAM pin controls the binaural shuffler circuit. If this is left floating, the shuffler is inoperative. If pin 5 is connected to the adjacent pin 6, the shuffling is invoked. A toggle switch connected between these two pins offers a convenient way to control the shuffling circuit. The shuffler circuit is an equal energy design (see diagram below), so that the frequency response of the headphones does not change when shuffling is invoked.



When the PHABRIC-2 is intended to drive low-impedance headphones *only*, the output may be forced in a low impedance state by wiring a 33 Ω resistor between OUT+ and OUT- on each channel.

Forcing the output into a low-Z mode is worthwhile when driving some models of low-impedance, open-back headphone. It is better not force low-impedance mode when driving low-Z, In Ear Monitors (IEMs).

The PHABRIC-2 component incorporates internal decoupling, but external 10 μ F – 100 μ F decoupling capacitors are recommended when the power is supplied over long wires. These may be soldered directly to the base to avoid the need for a PCB.



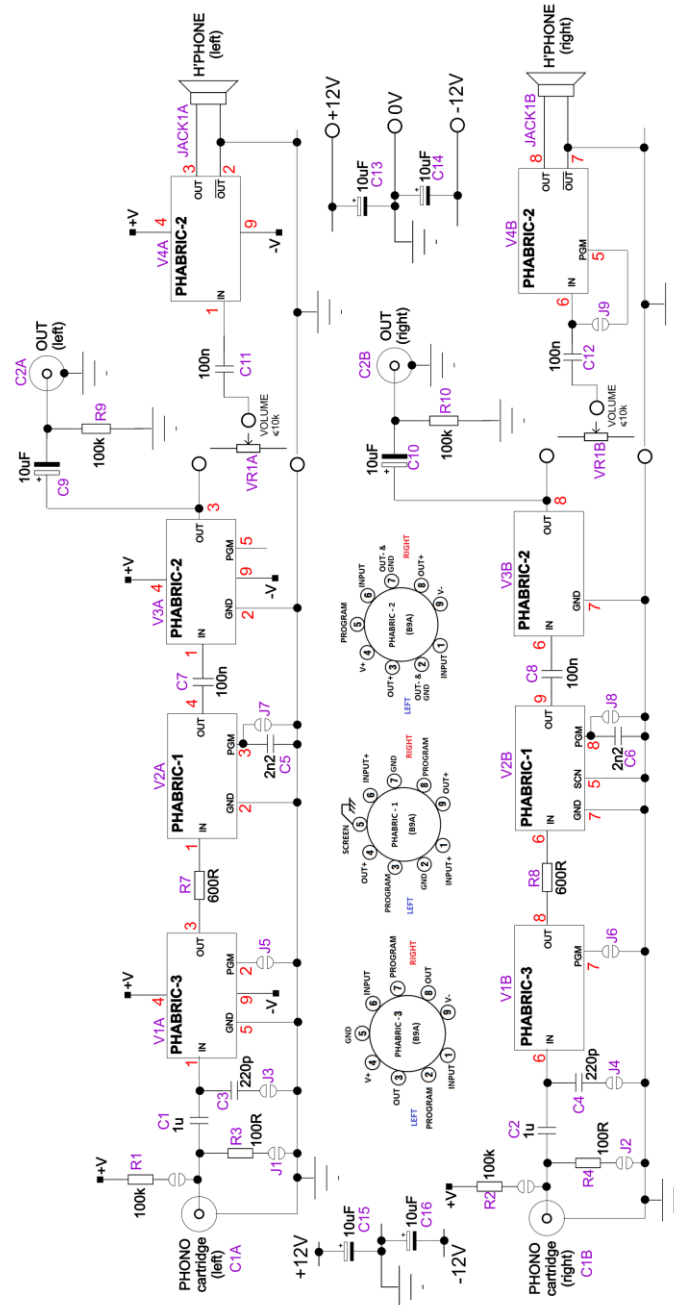
Version 1.2 - March 2019





EVALUATION BOARD (PHABRIC-1-EVAL)

An evaluation board is available for the PHABRIC-2 HEADPHONE DRIVER AND STEREO SHUFFLER audio building block so that the binaural (Blumlein Σ) shuffling and dual power amplifier may be thoroughly tested and evaluated. The board may be externally powered by a bench power-supply or with batteries. A full schematic is given below.



Version 1.2 - March 2019



Before using a Phaedrus Audio PHABRICS, please read carefully the specifications and applications information in the datasheet. Improper installation or failure to respect parameter limits may cause damage to the component, modify its characteristics and decrease reliability and useful life. Phaedrus Audio's Limited Warranty does not extend to any Phaedrus Audio product that has been damaged or rendered defective due to accident, misuse, or abuse. See http://www.phaedrus-audio.com/phaedrus_t&cs.htm for Phaedrus Audio's latest Terms and Conditions.

Current Equipment Type



Blumlein Σ Shuffler

Because the shuffler in the PHABRIC-2 has transfer functions which are the conjugate of the Blumlein Delta (δ) shuffler, we term this shuffler a Blumlein Σ type. For more information about the Blumlein Delta (or TIHM) microphone technique go to: http://pspatialaudio.com/blumlein_delta.htm And, for audio demonstrations of the Blumlein Σ Shuffler go to: <http://www.phaedrus-audio.com/PHABRIX.htm>



Version 1.2 - March 2019



Before using a Phaedrus Audio PHABRICS, please read carefully the specifications and applications information in the datasheet. Improper installation or failure to respect parameter limits may cause damage to the component, modify its characteristics and decrease reliability and useful life. Phaedrus Audio's Limited Warranty does not extend to any Phaedrus Audio product that has been damaged or rendered defective due to accident, misuse, or abuse. See http://www.phaedrus-audio.com/phaedrus_t&cs.htm for Phaedrus Audio's latest Terms and Conditions.