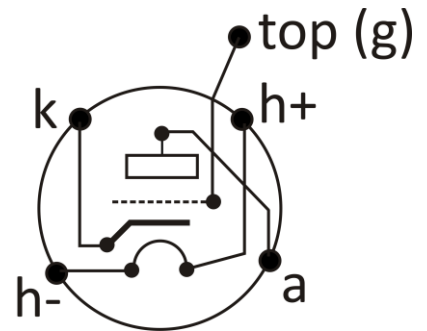




TYPE: **AC701**
SUBMINIATURE
AUDIO TRIODE

The Phædrus Audio AC701 is suitable for direct replacement of the AC701 (AC701k) tube in microphones employing this tube: see technical specification below. For more information and enquiries, email sales@phaedrus-audio.com.



The Phædrus Audio AC701 is supplied with long 38mm leads. This enables the tube to be fitted in all applications of the AC701 (AC701K) with the appropriate lead-dress.

The body of the Phædrus Audio AC701 is a cylinder. There is no taper for the grid connection as in there is in the Telefunken part. For that reason, the Phædrus Audio AC701 is shorter by 5mm than the Telefunken part. This makes it an easy fit, even in the tightest applications of the AC701(k). The electrodes are marked on the base of the tube, so that lead-identification is straightforward.

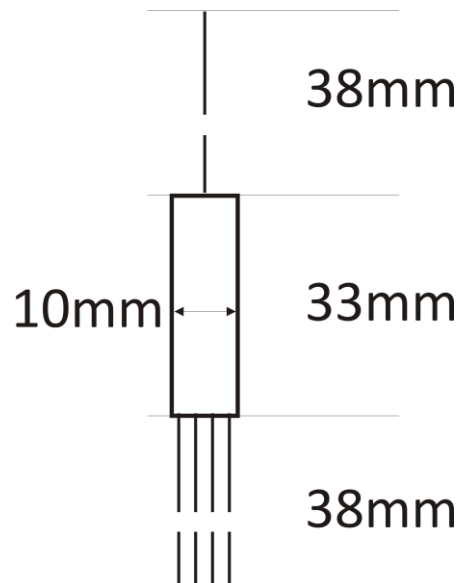
AC701 Electronic Tube™ Technical Specifications

Recommended operating conditions

- Heater voltage:** 4V (not <3.8V. *Note 1.*)
- Heater current:** 100mA
- HT Supply:** 115V (nominal)
- Anode load:** 100k - 200k
- Grid voltage:** 0V to 1.4V (this covers the various circuit configurations)
- Grid resistor:** 150MΩ
- Cathode circuit:** Self-bias or fixed-bias: no modifications normally required

Notes:

- i.e. Polarity must be respected. Thus terminal h+ must be positive with respect to terminal h- .



Version 1.1 - January 2018

Before using a Phædrus Audio Electronic Tube, please read carefully the specifications and applications information in the datasheet. Improper installation or failure to respect parameter limits may cause damage to the component, modify its characteristics and decrease reliability and useful life. Phædrus Audio's Limited Warranty does not extend to any Phædrus Audio product that has been damaged or rendered defective due to accident, misuse, or abuse. See http://www.phaedrus-audio.com/phaedrus_t&cs.htm for Phædrus Audio's latest Terms and Conditions.